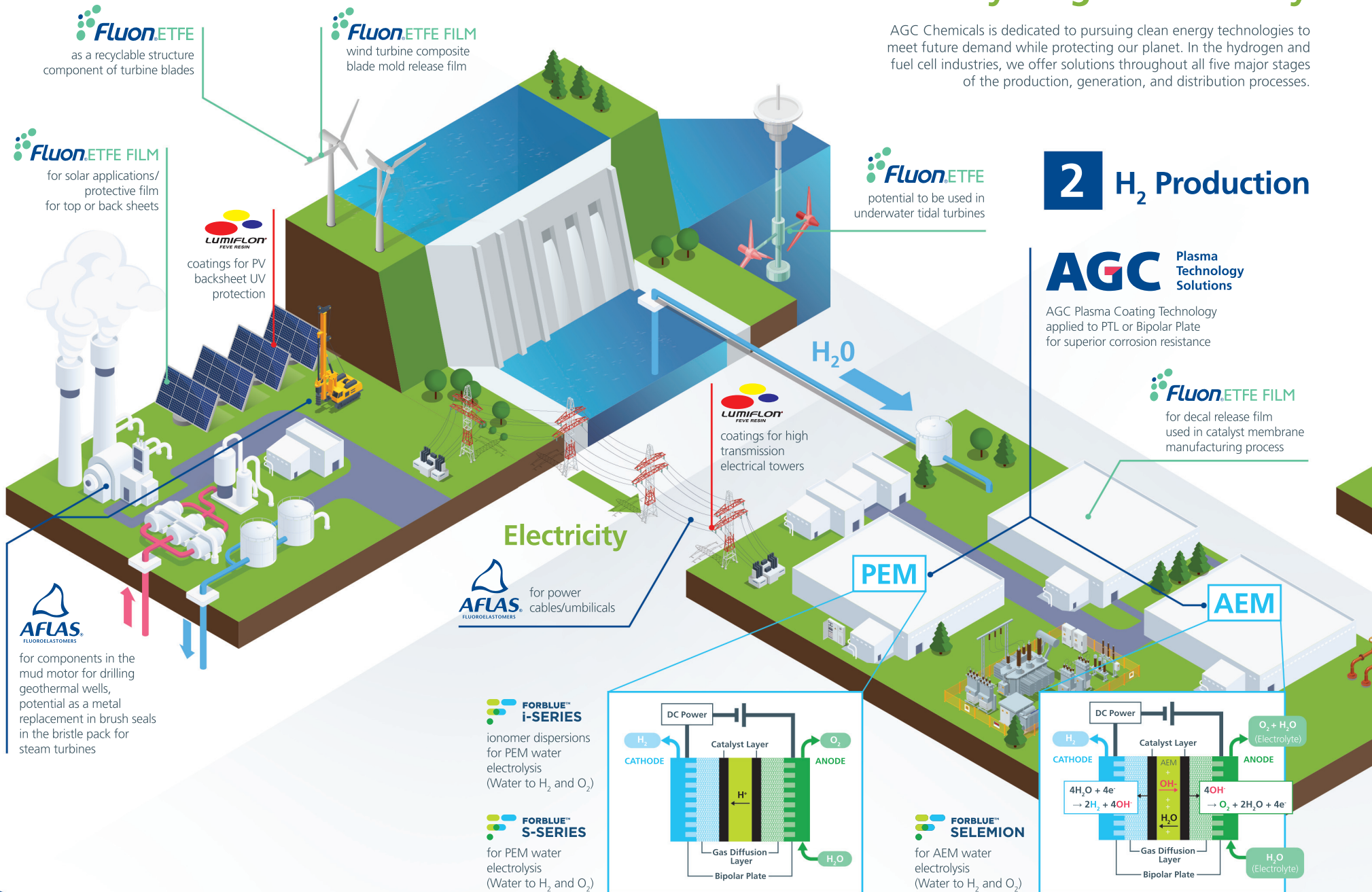


Performance Materials for the Hydrogen Economy



AGC
Your Dreams, Our Challenge

1 Renewable Energy Generation



Performance Materials for the Hydrogen Economy

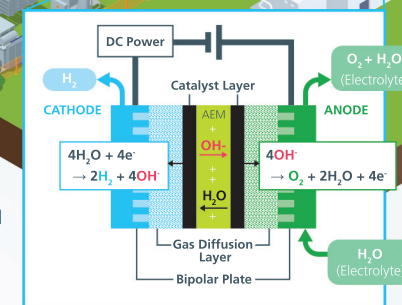
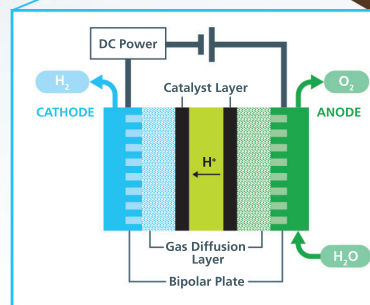
AGC Chemicals is dedicated to pursuing clean energy technologies to meet future demand while protecting our planet. In the hydrogen and fuel cell industries, we offer solutions throughout all five major stages of the production, generation, and distribution processes.

2 H₂ Production

AGC Plasma Technology Solutions

AGC Plasma Coating Technology applied to PTL or Bipolar Plate for superior corrosion resistance

Fluon.ETFE FILM
for decal release film used in catalyst membrane manufacturing process

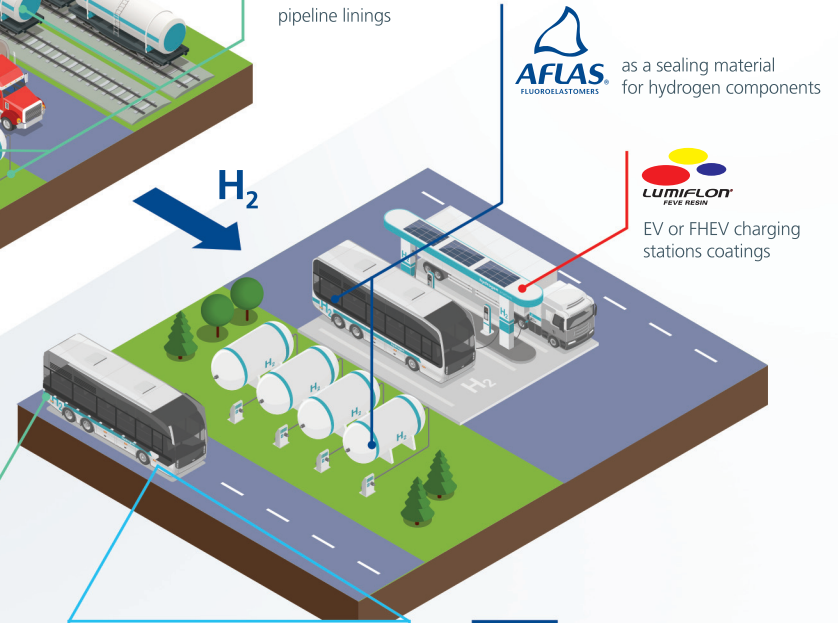
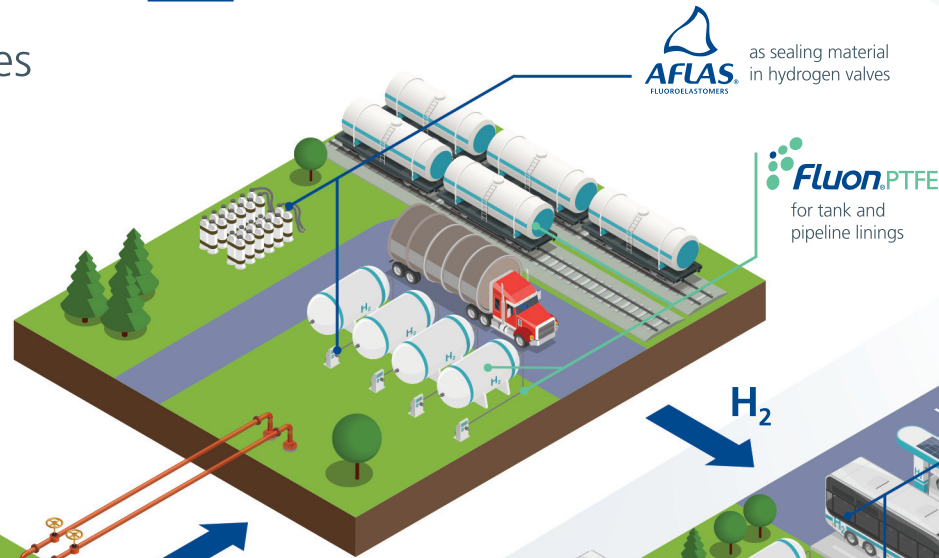
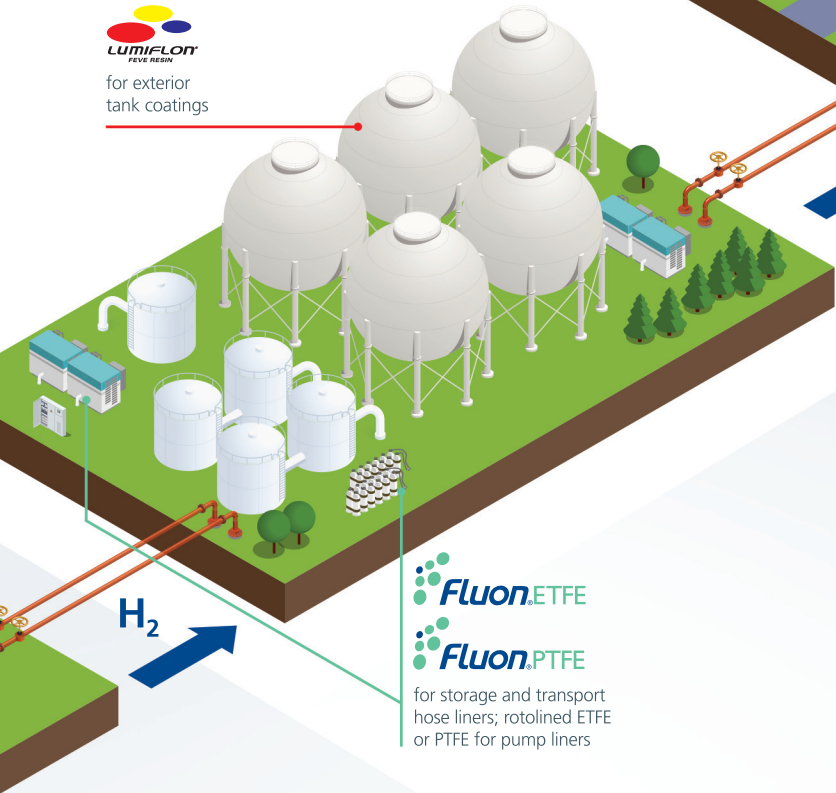


Powering the Hydrogen Energy Value Chain with AGC's Advanced Technologies

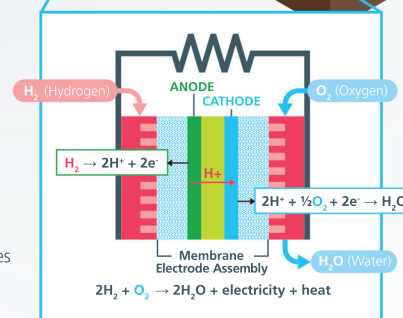


4 H₂ Transport

3 H₂ Storage



5 Mobility Conversion to Energy/Fuel Cells



➔ For more information, please visit us at agcchem.com



**AGC Chemicals Company
AGC Inc.**

Shin-Marunouchi Bldg.
1-5-1 Marunouchi
Chiyoda-ku, Tokyo
100-8405 Japan
Tel: +81-3-3218-5438
www.agc-chemicals.com

AGC Asia Pacific Pte., Ltd.

460 Alexandra Road
#32-01 mTower
Singapore 119963
Tel: +65 6273 5656
www.agc-asiapacific.com

**AGC Chemicals Trading
(Shanghai) Co., Ltd.**

Room 2701-2705, Metro Plaza
555 Lou Shan Guan Road
Chang Ning Ward, Shanghai
China 200051
Tel: +86-21-6386-2211
www.agcsh.com

AGC Chemicals Europe, Ltd.

Hillhouse International
Fleetwood Road North
Thornton-Cleveleys
FY5 4QD
United Kingdom
Tel: +44 (0) 1253 209560
www.agcce.com

**AGC Chemicals Europe, Ltd.
Commercial Centre**

World Trade Center, Zuidplein 80
1077 XV Amsterdam, Netherlands
Tel: +31-(0)-20-880-41-70
www.agcce.com

**AGC Chemicals
(Thailand) Co., Ltd.**

944 Mitrtown Office Tower, 14th Floor
Rama 4 Road, Wangmai Sub-District
Pathumwan District, Bangkok 10330
Thailand
Tel: +66-2-092-6499
www.acth.co.th

AGC Vidros do Brasil Ltda.

Estrada Municipal Doutor Jaime
Eduardo Ribeiro Pereira, 500
Jardim Vista Alegre
Guaratinguetá, SP, Brasil
CEP 12523-671
Tel: +55 12 3127-7100
www.agcchem.com/pt-br/



AGC

AGC Chemicals Americas, Inc.

55 E. Uwchlan Avenue, Suite 201
Exton, PA 19341
United States of America

Telephone: +1 610-423-4300
Toll Free (US only): 800-424-7833
Fax: +1 610-423-4305

www.agcchem.com

Visit our website for compliance information and industry certifications.

FLUON®, AFLAS®, LUMIFLON®, and FORBLUE™ are registered trademarks of AGC Inc.

The information provided herein is related only to the specific product designated and may not be applicable where such product is used in combination with any other materials or in any process.

NO REPRESENTATION OR WARRANTIES, EITHER EXPRESSED OR IMPLIED, OF MERCHANTABILITY, FITNESS FOR A PARTICULAR PURPOSE OR OF ANY OTHER NATURE, ARE MADE HEREUNDER.

The user of this product has the sole responsibility to determine the suitability of the product for any use and manner of use intended. This document may be revised after its issuance, and the user is advised to use the latest revision.